

Bike Rack Accessories

EXTENSION KITS	
Thule Excellent 3rd Rail Kit (ano-black)	240
Thule Excellent Elite G2 4th Rail Kit (ano-black)	240
Thule Elite G2 3rd Rail Kit	241
Thule Sport G2 3rd Rail Kit	242
Thule Sport G2 Garage 4th Rail Kit	242
Thule Essential 3rd Rail Kit	243
Thule Caravan Superb 3rd Rail Kit	243
Thule Caravan Superb XT 3rd Rail Kit (black)	244
Thule Lift V16 3rd Rail Kit	244
Thule WanderWay 3rd Rail Kit (ano-black)	245
Thule WanderWay 4th Rail Kit (ano-black)	245
Thule VeloSpace 3 Bike Adapter	246
Thule VeloSpace 3 Loading Ramp Black	246

ACCESSORIES	
Thule Lightboard Van	247
Thule Wiring Kit Stellantis > 2011	248
Thule Wiring Kit Stellantis < 2011	249
Thule Wiring Kit Stellantis Trailer Pack	250
Thule VeloSlide Fork mount Quick Release Adapter	251
Thule VeloSlide Fork mount Thru Axle Adapter	252
Thule Bike Holders with AcuTight Knob - Anodised	253
Thule Bike Holders with AcuTight Knob - Black	254
Thule Bike Holders G1	255
Thule AcuTight Knob	256
Thule One-Key System	256
Thule Bike Frame Adapter	257
Thule Carbon Frame Protector	257
Thule Brake Straps	258
Thule E-bike Rail for Thule Sport G2	258
Thule Fatbike Rail Curved Ano	260
Thule Fatbike Rail Short Black	261
Thule Fatbike Rail Straight Black	262
Thule Bike Cover	263
Thule Cable Lock	263
Thule Strap Lock	264
Thule Wheel Adapter	264
Thule Rear Warning Sign	265
Thule Wheel Bag XL	265

INSTALLATION SETS	
Overview	266
Thule Mounting Rail Ducato Jumper Boxer Top + Bottom Black	267
Thule Top Mounting Rail	267
Thule Bottom Mounting Rail	268
Thule Bottom Mounting Rail for Blind Mounting	268
Thule Cover for Mounting Rail	269
Thule Bike Rack Lift Adapter for Bottom Mounting Rail	269
Thule Mounting Rail for Caravan Rail	270
Thule Bike Rack Adapter Hymer Top Brackets	270
Thule Bike Rack Adapter for Curved Walls	271
Thule Lift V16 Elongation Kit	271
Thule Bike Rack Adapter for Dethleffs, Carado & Sunlight	272
Thule Adapter 4 Point Fixation Fiamma	273
Thule XL U-bolts for A-frame bike racks	273
Thule U-Bolts A-Frame AL-KO Vario X	274
Thule Eriba Bracket	274
Thule Rail Support Bracket for Hobby Caravan Rail < 2003	275
Thule Bike Rack Adapter for Hobby 2014 caravans	276
Thule Bike Rack Adapter for Hobby 2015 caravans	277
Thule Bike Carrier Adapter 4-Point Fixation Euramobil MI 3	278

THULE EXCELLENT	In the package	Thule Excellent 3rd Rail Kit	Thule Excellent 4th Rail Kit
Standard (anodised) - 309821 Standard (black) - 302033 Short (anodised) - 309822	Bike rack for 4 bikes, equipped for 2 bikes Bikes on position 2 & 3 2 bike holders with identical locks One key to operate 2 lockable bike holders	309823 (anodised) / 302034 (black) 3rd bike rail + bike holder with lock Install the extension on position 1 (closest to vehicle)	309824 (anodised) / 302035 (black) 4th bike rail + clip on adapter + double clamp bike holder with lock Install the extension on position 4 (max. 15 kg)
THULE ELITE G2	In the package	Thule Elite G2 3rd Rail Kit	Thule Elite G2 4th Rail Kit
Standard - 306560 Short - 306561	Bike rack for 4 bikes, equipped for 2 bikes Bikes on position 1 & 3 2 bike holders with identical locks One key to operate 2 lockable bike holders	306565 3rd bike rail + bike holder with lock Install the extension on position 2	309824 4th bike rail + clip on adapter + double clamp bike holder with lock Install the extension on position 4 (max. 15 kg)
THULE SPORT G2	In the package	Thule Sport G2 3rd Rail Kit	
Standard - 307126 Short - 307127	Bike rack for 3 bikes, equipped for 2 bikes Bikes on position 1 & 3 2 bike holders without locks Optional: 526000 - Knob with lock (2 pcs) Change knobs on all bike holders One key to operate 2 lockable bike holders	306577 3rd bike rail + bike holder without lock Install the extension on position 2 3 bike holders without locks Optional: 527000 - Knob with lock (4 pcs) Change knobs on all bike holders One key to operate 3 lockable bike holders	
THULE ESSENTIAL	In the package	Thule Essential 3rd Rail Kit	
Standard - 309825 Short - 309826	Bike rack for 3 bikes, equipped for 2 bikes Bikes on position 1 & 3 1 bike holder without lock, 1 bike strap and foam bumper Optional: 306463 - Bike Holder 1 with Lock Change knob with lock from bike holder 1 to bike holder 3 Optional: 526000 - Knob with lock (2 pcs) Change knobs on all bike holders One key to operate 2 lockable bike holders	309827 3rd bike rail + bike holder without lock Install the extension on position 2 2 bike holders without locks, 1 bike strap and foam bumper Optional: 306463 - Bike Holder 1 with Lock Change knob with lock from bike holder 1 to bike holder 3 Optional: 527000 - Knob with lock (4 pcs) Change knobs on all bike holders One key to operate 3 lockable bike holders	

Thule Excellent 3rd Rail Kit



INFO

- Extension kit for the Thule Excellent with rail slider that provides free movement of the rail in all directions
- Easy mounting of the bike through a detachable bike holder with a lockable Thule AcuTight torque limiter knob that clicks when optimal torque is reached
- The wheel straps with pump buckles help you set up the bikes, offering comfortable fastening of the wheels
- Content:
 - 1 rail
 - 1 bike holder

309823	Thule Excellent 3rd Rail Kit - Anodised
302034	Thule Excellent 3rd Rail Kit - Black

Thule Excellent | Elite G2 4th Rail Kit



INFO

- Extension kit for the Thule Excellent | Elite G2 bike racks
- The 4th rail is fixed outwards and is not adjustable
- Easy mounting of the bike through a detachable bike holder with a lockable Thule AcuTight torque limiter knob that clicks when optimal torque is reached
- The wheel straps with pump buckles help you set up the bikes, offering comfortable fastening of the wheels
- Maximum loading weight: 15 kg
- Content:
 - 1 rail
 - 1 bike holder

309824	Thule Excellent Elite G2 4th Rail Kit - Anodised
302035	Thule Excellent 4th Rail Kit - Black

Thule Elite G2 3rd Rail Kit



INFO

- Extension kit for the Thule Elite G2 bike rack
- For fixed positioning of a 3rd bike on the vacant location of the rack
- Easy mounting of the bike through a detachable bike holder with a lockable Thule AcuTight torque limiter knob that clicks when optimal torque is reached
- Content:
 - 1 rail
 - 1 bike holder

306565

Thule Elite G2 3rd Rail Kit

Thule Sport G2 3rd Rail Kit



INFO

- Extension kit for the Thule Sport G2 bike rack
- For fixed positioning of a 3rd bike on the vacant location of the rack
- Content:
 - 1 rail
 - 1 bike holder

306577	Thule Sport G2 3rd Rail Kit
--------	-----------------------------

Thule Sport G2 Garage 4th Rail Kit



INFO

- Extension kit for the Thule Sport G2 Garage bike rack
- For fixed position of a 4th bike on the vacant location on the rack
- Content:
 - 1 rail
 - 1 bike holder

306578	Thule Sport G2 Garage 4th Rail Kit
--------	------------------------------------

Thule Essential 3rd Rail Kit



INFO

- Extension kit for the Thule Essential bike rack
- For fixed positioning of a 3rd bike on the vacant location of the rack
- Content:
 - 1 rail
 - 1 bike holder

309827	Thule Essential 3rd Rail Kit
--------	------------------------------

Thule Caravan Superb 3rd Rail Kit



INFO

- Extension kit for the Thule Caravan Superb Standard bike rack
- For fixed positioning of a 3rd bike on the vacant location of the rack
- Easy mounting of the bike through a detachable bike holder with a lockable Thule AcuTight torque limiter knob that clicks when optimal torque is reached
- Content:
 - 2 short rails
 - 1 bike holder

307131	Thule Caravan Superb 3rd Rail Kit
--------	-----------------------------------

Thule Caravan Superb XT 3rd Rail Kit Black



INFO

- Extension kit for the Thule Caravan Superb XT Standard bike rack
- For fixed positioning of a 3rd bike on the vacant location of the rack
- Easy mounting of the bike through a detachable bike holder with a lockable Thule AcuTight torque limiter knob that clicks when optimal torque is reached
- The wheel straps with pump buckles help you set up the bikes, offering comfortable fastening of the wheels
- Content:
 - 2 short rails
 - 1 bike holder

302032	Thule Caravan Superb XT 3rd Rail Kit
--------	--------------------------------------

Thule Lift V16 3rd Rail Kit



INFO

- Extension kit for the Thule Lift V16 bike rack
- For fixed positioning of a 3rd bike on the vacant location of the rack
- Easy mounting of the bike through a detachable bike holder with a lockable Thule AcuTight torque limiter knob that clicks when optimal torque is reached
- The wheel straps with pump buckles help you set up the bikes, offering comfortable fastening of the wheels
- Content:
 - 1 rail
 - 1 bike holder

307370	Thule Lift V16 3rd Rail Kit
--------	-----------------------------

Thule WanderWay 3rd Rail Kit



INFO

- Extension kit for the Thule WanderWay bike rack
- For fixed positioning of a 3rd bike on the vacant location of the rack
- Easy mounting of the bike through a detachable bike holder with a lockable Thule AcuTight torque limiter knob that clicks when optimal torque is reached
- The wheel straps with pump buckles help you set up the bikes, offering comfortable fastening of the wheels
- Content:
 - 1 rail
 - 1 bike holder

911602	Thule WanderWay 3rd Rail Kit Black
--------	------------------------------------

Thule WanderWay 4th Rail Kit



INFO

- Extension kit for the Thule WanderWay bike rack
- For fixed positioning of a 4th bike on the vacant location of the rack
- Easy mounting of the bike through a detachable bike holder with a lockable Thule AcuTight torque limiter knob that clicks when optimal torque is reached
- The wheel straps with pump buckles help you set up the bikes, offering comfortable fastening of the wheels
- Content:
 - 2 short rails
 - 1 bike holder

911702	Thule WanderWay 4th Rail Kit Black
--------	------------------------------------

Thule VeloSpace 3 Bike Adapter



INFO

- Increase the capacity of ydINFO
- Easy to install and remove wheel tray thanks to the spring-loaded release buttons
- Bike-a-bike arm has lockable straps and is compatible with Thule One-Key System (lock included)
- Fits frame dimensions 20-90 mm
- Max wheelbase 1200 mm
- Max tire width 3" (4.7" with Thule extra long wheel straps)
- Distance between bikes 17 cm
- Weight 2.5 kg

9031100

Thule VeloSpace XT Bike Adapter

Thule VeloSpace 3 Loading Ramp Black



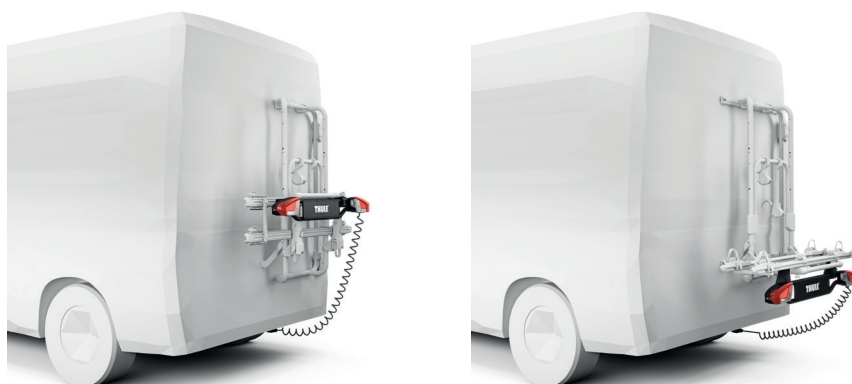
INFO

- Convenient removable ramp for easy loading and unloading of your bikes
- No heavy lifting - simply roll the bike up onto the bike rack
- Includes carriers to attach the ramp to the bike rack during transport
- Weight 1.1 kg

917210

Thule VeloSpace 3 Loading Ramp Black

Thule Lightboard Van

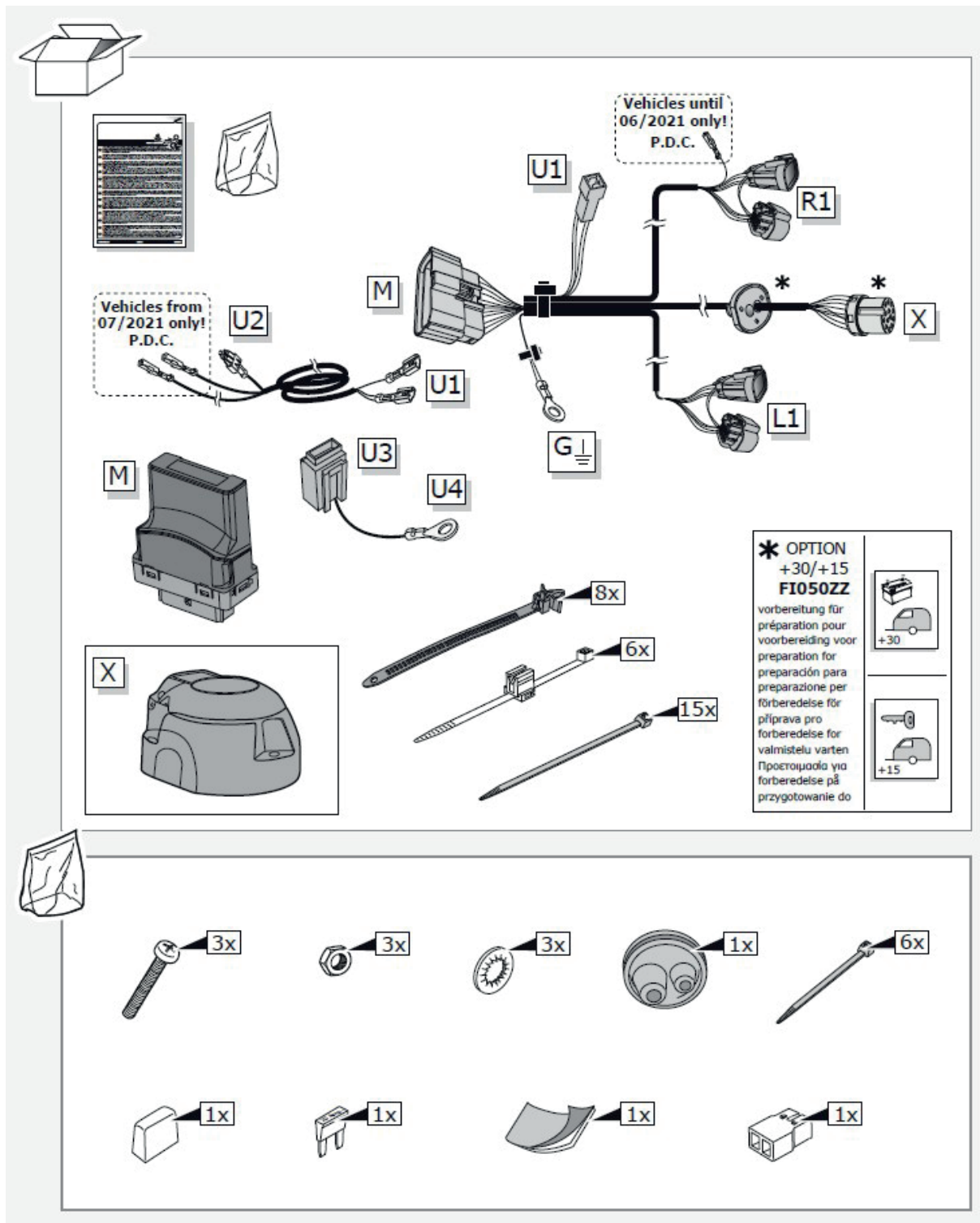


INFO

- Fits Thule VeloTrack and Thule Elite Van XT
- The Thule Lightboard Van can be turned upwards when not using the bike rack

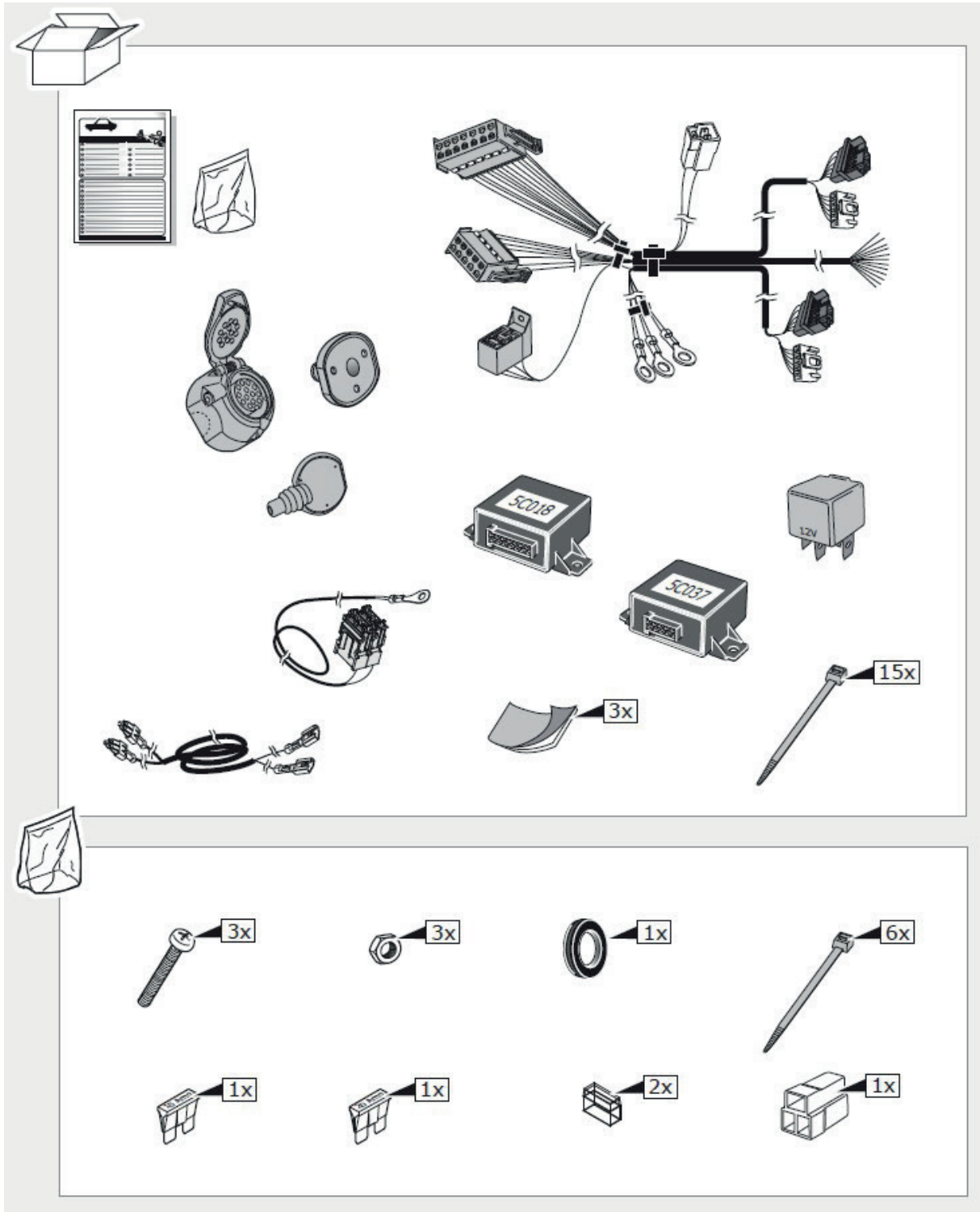
302072	Thule Lightboard Van
302074	Thule Lightboard Van UK

Thule Wiring Kit Stellantis > 2011



302075	Thule Wiring Kit Stellantis > 2011	5415182073912
--------	------------------------------------	---------------

Thule Wiring Kit Stellantis < 2011



302076	Thule Wiring Kit Stellantis < 2011	5415182073929
--------	------------------------------------	---------------

Thule Wiring Kit Stellantis Trailer Pack

USPs

- Designed for vehicles with trailer preparation (Fiat order code 4HB)
- Installed in 30-45 minutes (approx.)
- Coding-free installation using original vehicle connectors

SPECIFICATIONS

- Thule Wiring Kit Stellantis Trailer Pack is a wiring kit that only fits vehicles with trailer preparation (for vehicles for which item 302075 doesn't work, Fiat order code 4HB)
- 13 pin socket pre-assembled with crimp terminals according to ISO11446
- Excludes rear fog light cut-off because of vehicle manufacturer / OE trailer module limitations
- With C2 indicator control shown via the vehicle's text display
- With original connectors
- Does not require coding
- PDC deactivation is supported by OE trailer module
- Switched feed (+15): Trailer socket pin n°. 10 will be active after installation
- Permanent feed (+30): Trailer socket pin n°. 9 will be active after installation
- Compatible with Trailer LED

INFO

Color	Black
Box Dimensions	294 x 223 x 128 mm
Product length when rolled out	3350 mm
Product weight (gross)	1,215 kg
Product weight (net)	1,015 kg
Compatibility	The item fits pre-assembled cables (trailer packages Stellantis) where the Thule Wiring Kit Stellantis > 2011 (302075) cannot be used
Vehicle compatibility	It fits the following vehicles with trailer preparation - all Fiat Ducato Van (and PSA equivalents) from 05/2014 until today - Opel Movano C Van as per 01/2022 - Toyota ProAce Max as per 09/2024 - LHD + RHD vehicles

302080	Thule Wiring Kit Stellantis Trailer Pack	5415182077200
--------	--	---------------

Thule VeloSlide Fork mount Quick Release Adapter



INFO

- Adapter kit to accommodate a Thule VeloSlide in motorhome garages with limited height
- Slide-on accessory that replaces the Quick Release front wheel with a new axle hub which lowers the top point of the bikes as it replaces the front wheel of the bike
- Built-in torque limiter ensures a tight fit while preventing damage to the front fork
- Installation assist kit included for easy (dis)mounting
- Adapter holder replaces two of the original wheel fixations of the Thule VeloSlide
- Position of the bike can be adjusted easily without any tools - even while the bike is already attached to the rack
- Optional wheel bag (563000) to protect the dismounted wheel during transport
- Number of bikes: 1
- Max. loading weight: 35 kg
- Suitable for e-bikes
- Weight kit: 1,25 kg

302053

Thule VeloSlide Forkmount Adapter - Quick Release

Thule VeloSlide Fork mount Thru Axle Adapter



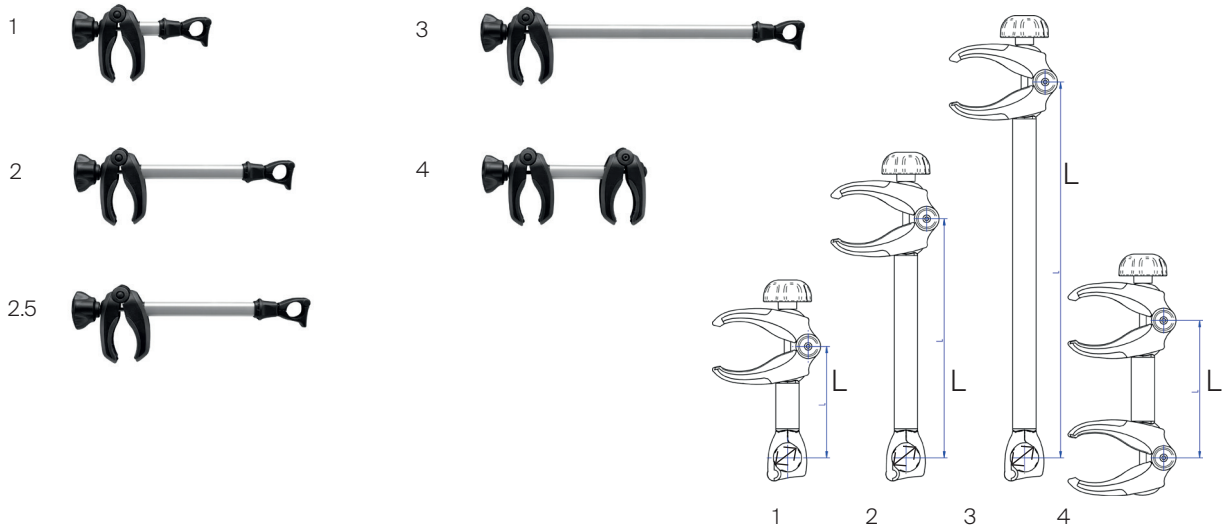
INFO

- Adapter kit to accommodate a Thule VeloSlide in motorhome garages with limited height
- Slide-on accessory which lowers the top point of the bikes as it replaces the front wheel of the bike
- Includes different spacers for optimal compatibility with the existing Thru Axle of the bike
- Installation assist kit included for easy (dis)mounting
- Adapter holder replaces two of the original wheel fixations of the Thule VeloSlide
- Position of the bike can be adjusted easily without any tools - even while the bike is already attached to the rack
- Optional wheel bag (563000) to protect the dismounted wheel during transport
- Number of bikes: 1
- Max. loading weight: 35 kg
- Suitable for e-bikes
- Weight kit: 0,90 kg

302054

Thule VeloSlide Forkmount Adapter - Thru Axle

Thule Bike Holders with AcuTight Knob



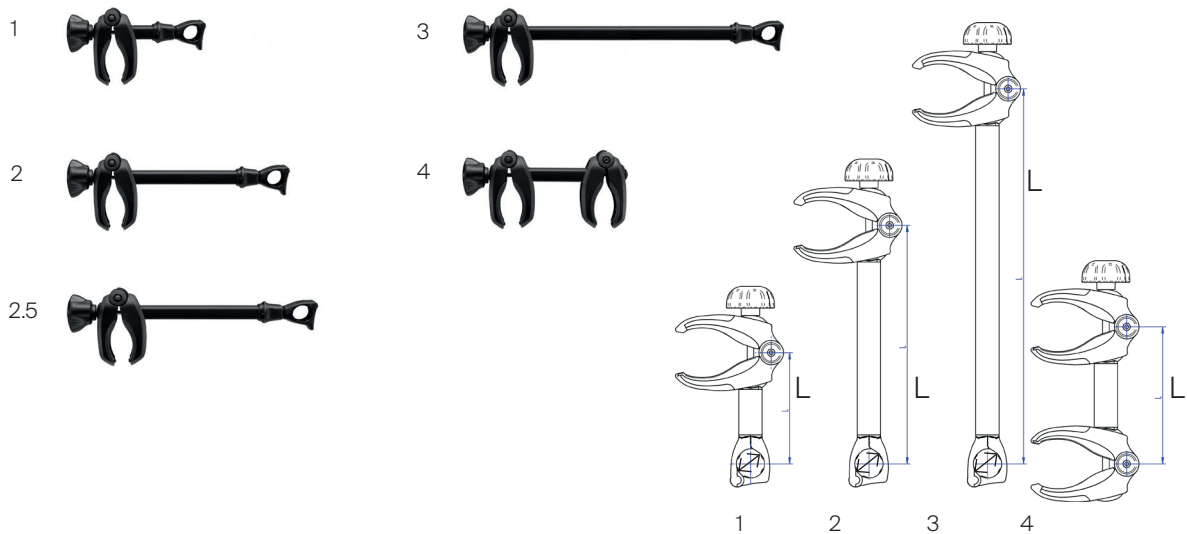
INFO

- Easy mounting of bikes through detachable bike holders with Thule AcuTight torque limiter knobs that click when optimal torque is reached
- Thule One Key compatible lock system
- For tube diameter 30mm - see ↗ on the drawing

	Bike Holder 1 L = 122 mm	Bike Holder 2 L = 262 mm	Bike Holder 2.5 L = 300 mm	Bike Holder 3 L = 412 mm	Bike Holder 4 L = 150 mm
Thule Lift V16 Manual / Motorized	included	optional	-	included	-
Thule Excellent Standard / Short	optional	included	-	included	optional
Thule Elite G2 Standard / Short / HH	included	optional	-	included	optional
Thule Elite G2 One Bike	included	-	-	-	-
Thule Elite Van X	included	-	included	-	-
Thule Sport G2 Standard / Short	optional	optional		optional	
Thule Sport G2 Tour / Hobby / Uni-versal	optional	optional		optional	
Thule Sport G2 Garage	optional	optional		optional	optional
Thule Sport G2 Compact	optional	optional			
Thule Essential Standard / Short	optional	optional		optional	
Thule Caravan Superb Standard	included	optional	-	included	-
Thule Caravan Superb Short V16	included	-	included	-	-
Thule Caravan Smart	included	included	-	-	-
Thule VeloSlide Standard / Short	optional				

302520	Thule Bike Holder 1 with AcuTight Knob
302521	Thule Bike Holder 2 with AcuTight Knob
302522	Thule Bike Holder 2.5 with AcuTight Knob
302523	Thule Bike Holder 3 with AcuTight Knob
302524	Thule Bike Holder 4 with AcuTight Knob

Thule Bike Holders with AcuTight Knob - Black



INFO

- Easy mounting of bikes through detachable bike arms with Thule AcuTight torque limiter knobs that click when optimal torque is reached
- Completely in black colour
- Thule One Key compatible lock system
- For tube diameter 30 mm - see ↗ on the drawing

	Bike Holder 1 L = 122 mm	Bike Holder 2 L = 262 mm	Bike Holder 2.5 L = 300 mm	Bike Holder 3 L = 412 mm	Bike Holder 4 L = 150 mm
Thule Excellent Standard - Black	optional	included	-	included	optional
Thule Caravan Superb XT Standard - Black	included	-	-	included	-
Thule Caravan Superb XT Short - Black	included	-	included	-	-
Thule Elite Van XT - Black	included	-	included	-	-

302525	Thule Bike Holder 1 with AcuTight Knob - Black
302526	Thule Bike Holder 2 with AcuTight Knob - Black
302527	Thule Bike Holder 2.5 with AcuTight Knob - Black
302528	Thule Bike Holder 3 with AcuTight Knob - Black
302529	Thule Bike Holder 4 with AcuTight Knob - Black

Thule Bike Holders G1

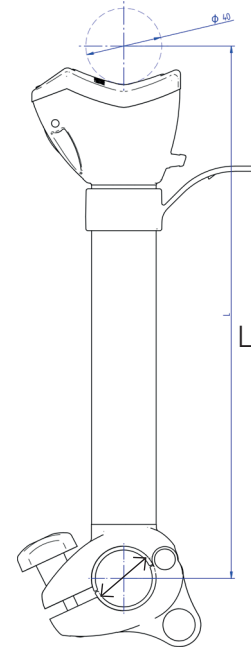
For Thule Sport and Thule Elite bike racks



INFO

- All bike racks of the Thule G1 range are fitted with these bike holders
- Earlier models can also be fitted with bike holders
- Soft cushions make gentle contact with the bike frame
- The strap is suitable for all frame shapes
- Both ends of the bike holder can be rotated in all directions for simple fastening
- A cable lock can be attached through the eye of the bike holder to prevent theft
- For tube diameter 30mm and 34mm - see ↗ in the drawing on the right

- Thule Bike Holder 1 L = 14 cm Weight: 0.3 kg
- Thule Bike Holder 2 L = 28 cm Weight: 0.4 kg
- Thule Bike Holder 3 L = 42 cm Weight: 0.4 kg
- Thule Bike Holder 4 L = 56 cm Weight: 0.5 kg



308184	Thule Bike Holder 1
308185	Thule Bike Holder 2
308186	Thule Bike Holder 3
308187	Thule Bike Holder 4
308188	Thule Bike Holder 2.5 (for Omnibike Plus)

Thule AcuTight Knob



INFO

- To replace the knob of bike holders without AcuTight knob
- Has a built-in torque limiter that “clicks” when optimal hold is reached indicating correct mounting
- The controlled torque going into the bike frame prevents an under- and over-tightening of the holder
- Ergonomic soft grips
- The Thule AcuTight knob fits all Thule rear mounted bike carriers with frame holders.
- Lockable with the Thule One-Key System: use one key for all locks

528001	Thule AcuTight Knob (1 pc)
--------	----------------------------

Thule One-Key System



INFO

- Set of locks, all using the same key
- Including grip-friendly Thule Comfort Key
- Replace the locks in your Thule product in a few easy steps

450400	Thule One-Key System 4-pack
450600	Thule One-Key System 6-pack
450800	Thule One-Key System 8-pack
451200	Thule One-Key System 12-pack
451600	Thule One-Key System 16-pack

Thule Bike Frame Adapter



INFO

- For easiest possible fitting of bikes with non-standard frames and ladies' bikes
- Suitable for sensitive carbon frames that need extra protection
- Mounts between saddle-post and steering
- Content:
 - 1 frame adapter

982003

Thule Bike Frame Adapter

Thule Carbon Frame Protector



INFO

- Fits all types of frame geometries and is easily adjustable with no loose parts
- The fixation pressure is distributed over a large surface area to minimize risk of frame damages
- The adapter has a soft TPE rubber liner to avoid scratching the bike frame

984101

Thule Carbon Frame Protector

Thule Brake Straps



INFO

- Extra safety for your bike
- Bind around the hand brakes of a bike when transported on a bike rack
- By pulling the brakes, sideways movement is prevented and the bikes are more secured on the rack
- Length of one strap: 46.5 cm
- Content:
 - 1 set = 6 straps

306566

Thule Brake Straps

Thule E-bike Rail for Sport G2

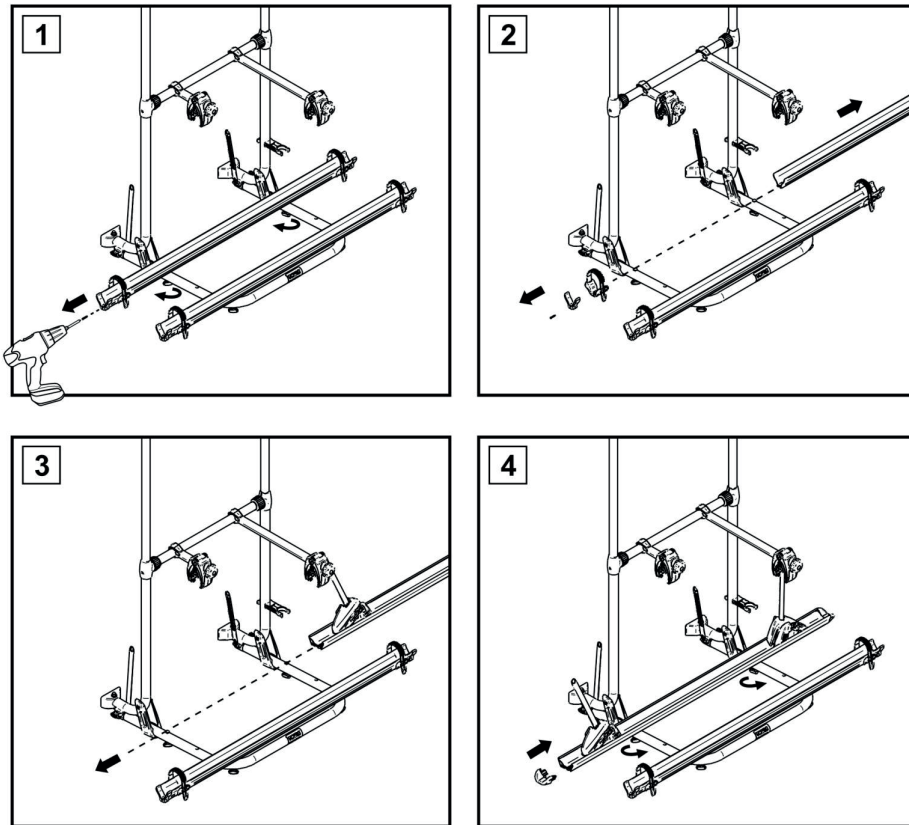


INFO

- Makes it possible to transport 1 e-bike on a Thule Sport G2 bike rack
- Easy-fit wheel holders (without pump buckle)
- Rail can slide left & right
- Extra long rail for e-bikes with large wheelbase (length of the rail: 1300 mm)
- Maximum loading weight: 30 kg
- Maximum width: 2.75"

FEATURES

- The maximum loading weight of the original bike rack cannot be exceeded
- The Thule E-bike Rail can only be used:
 - on a rear-mounted Thule bike rack type: Sport G2 Standard + Short, Sport G2 Universal, Sport G2 Hobby, Sport G2 Tour, Essential
 - on a garage-mounted Thule bike rack: Thule Sport G2 Garage
 - to replace an existing Sport G2 V-rail
 - on the position closest to the vehicle
 - in combination with a Thule G2 bike holder



306945	Thule E-bike Rail for Sport G2
--------	--------------------------------

Thule Fatbike Rail Curved Ano



INFO

- A replacement bike rail that enables the transportation of one fatbike
- Fits wheel dimensions 3-5"
- Quick and easy installation
- Extra long rails
- Rails slide from left to right for optimal positioning
- The extra long straps with pump buckle tensioning system easily secure the bike wheels
- Compatible with:
 - Thule Lift V16
 - Thule Excellent Standard Ano/Black
 - Thule Excellent Short
 - Thule Elite G2 Standard
 - Thule Elite G2 Short
 - Thule Elite G2 One Bike
- Max. load: 30kg
- Weight: 1.700kg
- Dimensions:
 - Length: 1475mm
 - Height: 1200mm

302058	Thule Fatbike Rail Curved Ano
--------	-------------------------------

Thule Fatbike Rail Short Black



INFO

- A replacement bike rail that enables the transportation of one fatbike
- Fits wheel dimensions 3-5"
- Quick and easy installation
- Extra long rails
- Rails slide from left to right for optimal positioning
- The extra long straps with pump buckle tensioning system easily secure the bike wheels
- Compatible with:
 - Thule Caravan Superb XT Black Standard
 - Thule Caravan Superb XT Black Short
 - Thule Caravan Superb Standard
 - Thule Caravan Superb Short
- Max. load: 30kg
- Weight: 1.440kg
- Dimensions:
 - Length: 2x 575mm
 - Height: 90mm

302056

Thule Fatbike Rail Short Black

Thule Fatbike Rail Straight Black



INFO

- A replacement bike rail that enables the transportation of one fatbike
- Fits wheel dimensions 3-5"
- Quick and easy installation
- Extra long rails
- Rails slide from left to right for optimal positioning
- The extra long straps with pump buckle tensioning system easily secure the bike wheels
- Compatible with:
 - Thule Elite Van XT
 - Thule WanderWay
- Max. load: 30kg
- Weight: 1.740kg
- Dimensions:
 - Length: 1475mm
 - Height: 90mm

302057	Thule Fatbike Rail Straight Black
--------	-----------------------------------

Thule Bike Cover



INFO

- High quality bike cover to protect your bicycles during transportation on a rear-mounted RV bike rack
- Not suitable for bike racks mounted on the A-frame, tow bar or roof top
- Not suitable for Thule bike racks for regular vehicles
- Integrated transparent sleeve for warning sign (50x50 cm)
- Made out of extra strong Ripstop polyester 210D with PU coating (3000 mm)
- Easy installation and perfect fitting thanks to elastic cords and steel hooks
- Carry bag included for clean and easy storage

307335	Thule Bike Cover - 2/3 bikes (per 15 pcs)
307336	Thule Bike Cover - 4 bikes (per 15 pcs)

Thule Cable Lock



INFO

- Strong cable with secure lock
- Coated to avoid damage to your belongings
- Two keys
- Length: 180 cm

538000	Thule Cable Lock
--------	------------------

Thule Strap Lock



INFO

- The lightweight aluminium strap buckle has a protective cover to avoid scratches and marks
- The strap contains a highly durable steel core wire which protects against cutting
- With the Thule Strap Lock the bikes are not only extra secured during transport but they are also protected against theft
- It's possible to tighten the strap both when open and locked
- Can also be used for any other purpose when you want to secure other valuable items
- Length: 3.00 m
- Net weight: 0.390 kg
- Gross weight: 0.450 kg (incl. packaging)

307389	Thule Strap Lock (per 20 pcs)
--------	-------------------------------

Thule Wheel Adapter



INFO

- Special protection for the rims of road bikes and mountain bikes
- Especially recommended for high profile rims and sensitive carbon rims
- Quick and easy to install on the strap of existing wheel holders
- Suitable for straps with maximum width 24 mm and height 5 mm
- Compatible with Thule Lift V16, Thule Excellent, Thule Elite G2, Thule Sport G2, Thule Caravan Superb, Thule Caravan Superb XT, Thule Caravan Smart, Thule Elite Van XT
- Material: rubber
- Color: black
- Content:
 - 1 set = 2 pieces

977200	Thule Wheel Adapter
--------	---------------------

Thule Rear Warning Sign

INFO

- Officially approved aluminium rear reflecting panel for protruding loads
- Mandatory in Spain, Italy, Poland and Hungary when transporting bicycles on the back of a caravan or motorhome
- 50 x 50 cm
- Compatible with the Thule Bike Cover (ref.: 307335-307336)
- 4 eyelets for installation without bike cover
- Warning: plastic imitations are not officially approved by law and by insurance companies !

Italian type



- Homologated by Italian authorities (homologation nr. 2606 DEL 13/05/13)
- Suitable for Europe, except for Spain

Spanish type



- Homologated by Spanish authorities (homologation nr. V20.065)
- Suitable for Spain, not for other European countries

307619	Thule Rear Warning Sign - Italian (per 10 pcs)
307337	Thule Rear Warning Sign - Spanish (per 10 pcs)

Thule Wheel Bag XL











INFO

- High-quality bag for the front wheel, with special padding to protect the bike wheel during transport and storage
- Strong nylon grip for convenient handling
- For wheel sizes up to 29" or 74cm in diameter

563000	Thule Wheel Bag XL
--------	--------------------

Fitting overview

Fitting overview bike carriers vs. mounting systems

mounting system		Bike carrier compatible with mounting system ?						
		Thule Excellent	Thule Elite G2	Thule Sport G2	Thule Essential	Thule Essee4	Fiamma Pro / Pro C	Fiamma UL / CL
Thule Top brackets	 X2	yes std. included	yes std. included	yes std. included	yes std. included	yes std. included	yes but hooks not fully secured (¹)	yes but hooks not fully secured (¹)
Thule Bottom brackets	 X2	yes with adapter 307338	yes with adapter 307338	yes	yes std. included	yes	yes	yes
Thule Top mounting rail		yes optional available	yes optional available	yes optional available	yes optional available	yes optional available	yes optional available	no unless hooks are modified (^{**})
Thule Bottom mounting rail		yes std. included	yes std. included	yes std. included	yes optional available	yes optional available	yes	yes
Fiamma top brackets		yes	yes	yes	yes	yes	yes std. included	yes std. included
Fiamma bottom brackets		yes with adapter 307338	yes with adapter 307338	yes	yes (adapter included)	yes	yes	yes
Fiamma bottom L- rail		yes with adapter 307338	yes with adapter 307338	yes	yes	yes (adapter included)	yes	yes std. included
Fiamma Top mounting rail Fiamma Bottom mounting rail		yes	yes	yes	yes	yes	yes std. included	yes
mounting range		Std. 80-150cm SV 60-80cm	Std. 80-150cm SV 50-80cm	Std. 80-150cm SV 40-70cm	Std. 80-150cm SV 40-70cm	Std. 80-150cm SV 50-80cm	Pro 80-150cm Pro M 50-80cm Pro C 40-50cm	UL 80-150cm - CL 40-50cm

(¹) Fiamma hook not deep enough and not secured for upward jump
(^{**}) Thule pin Ø 6mm, Fiamma pin Ø 5mm, Fiamma hooks need cut out to fit Thule pin

Thule Mounting Rail Ducato I Jumper I Boxer Top + Bottom Black



INFO

- Top and bottom mounting rail for Thule VeloTrack

302073	Thule Mounting Rail Ducato I Jumper I Boxer Top + Bottom Black
--------	--

Thule Top Mounting Rail



INFO

- More flexibility for the position of the holes
- Upper mounting profile spreads the weight evenly over the panel
- Installation through the wall
- Suitable for all rear-mounted Thule RV bike racks
- Special variant for Thule Sport G2 Universal: based on the same Top Mounting Rail but extra long for the larger frame of the Thule Sport G2 Universal

309828	Thule Top Mounting Rail
307204	Thule Top Mounting Rail Universal

Thule Bottom Mounting Rail



INFO

- Spreads the weight evenly over the panel
- Installation through the wall
- All fixation material is included for installation through the wall
- Suitable for bike racks Thule Essential and Thule Esse4

306946

Thule Bottom Mounting Rail

Thule Bottom Mounting Rail for blind mounting



INFO

- Bottom mounting profile for blind mounting
- Fits all: Thule Sport G2, Thule Elite G2, Excellent, Essential
- Special version that allows installation with only screws from the outside
- When the standard mounting method cannot be mounted because of eg. bathroom or kitchen

308954

Thule Bottom Mounting Rail for blind mounting

Thule Cover for Mounting Rail

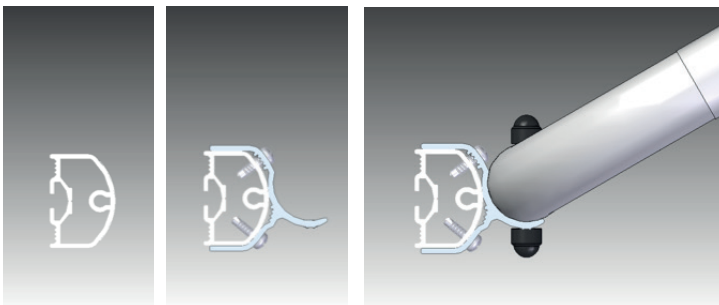


INFO

- When the bike rack is dismantled from the vehicle, the holes in the mounting rails are open for dirt and dust
- The cover is easily attached on the rail in order to cover up the holes
- Fits the Thule Bottom Mounting Rail as well as the Thule Top Mounting Rail or any other Thule Bike Rack Adapter based on the same profile
- Content:
 - 2 pieces

307328	Thule Cover for Mounting Rail
--------	-------------------------------

Thule Bike Rack Lift Adapter for Bottom Mounting Rail



INFO

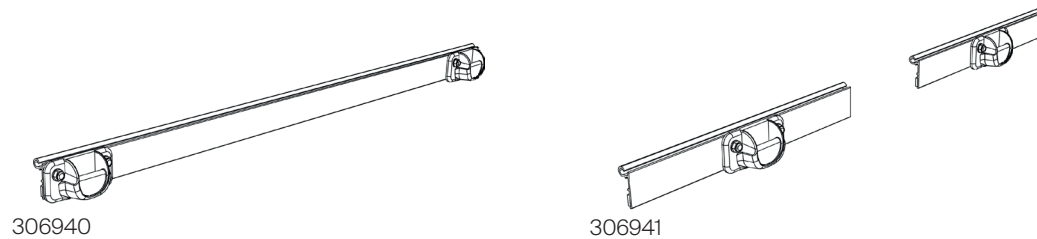
- Adapter to install a Thule Lift bike rack on a pre-mounted Thule Bottom Mounting Rail
- For example on Swift vehicles the Thule Top and Bottom mounting rails are pre-installed. However the bottom mounting rails are not compatible with the Thule Lift or Thule Lift V16 bike racks
- For the top mounting rail no adapter is needed, these are compatible with the Thule Lift and the Thule Lift V16 bike racks

FEATURES

- Suitable for bike racks: Thule Lift V16 and Thule Lift
- Content of set:
 - 1x Adapter rail for Lift
 - fasteners for installation on Bottom mounting rail

302000	Thule Bike Rack Lift Adapter for Bottom Mounting Rail
--------	---

Thule Mounting Rail for Caravan Rail



INFO

- To mount a bike rack on the rear of a caravan on the rail above the window without counter plates
- Suitable for bike racks: Thule Excellent, Thule Elite G2 and Thule Sport G2

306940	Thule Mounting Rail for Caravan Rail - 1 full length rail (per 10 pcs)
306941	Thule Mounting Rail Caravan Rail - 2 pcs of 16 cm (per 10 sets)

Thule Bike Rack Adapter Hymer Top Brackets



INFO

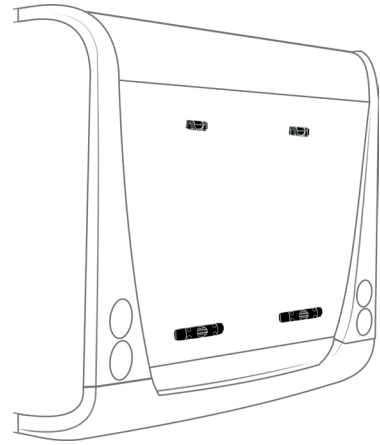
- Adapter set to mount a Thule G2 bike rack on Hymer vehicles with pre-fixation points
- Quick and easy to install
- Complete installation can be done from the outside of the vehicle
- No need for an extra fixation set from Hymer
- Suitable for Thule Excellent, Thule Elite G2 and Thule Sport G2 bike racks
- The optional Thule Bottom Mounting Rail for blind mounting is not included (ref. 308954)
- Content:
 - Top Mounting Brackets for Hymer vehicles

302007	Thule Bike Rack Adapter Hymer Top Brackets (per 5 sets)
--------	---

Thule Bike Rack Adapter for Curved Walls

INFO

- Adapter set to mount a standard Thule G2 bike rack on vehicles with a slightly curved rear wall
- Bottom mounting rails are suitable for blind installation or installation with counter plates
- Suitable for Thule Excellent, Thule Elite G2 and Thule Sport G2 bike racks
- Content:
 - 2x Bottom Mounting Rail for curved walls
 - 2x Standard Top Mounting Brackets



306931

Thule Bike Rack Adapter for Curved Walls

Thule Lift V16 Elongation Kit

INFO

- Makes it possible to extend the mounting range of the Thule Lift V16 bike rack to 95-150 cm
- Suitable for Thule Lift V16 bike racks (ref. 307368-307369)



307371

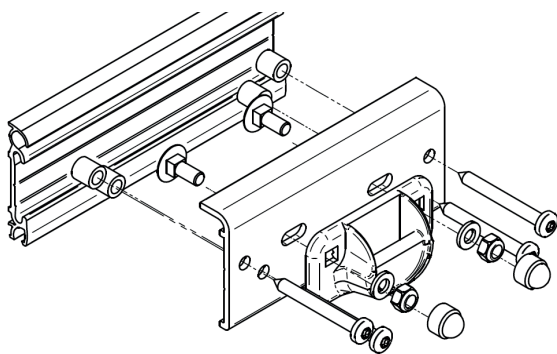
Thule Lift V16 Elongation Kit

Thule Bike Rack Adapter for Dethleffs, Carado & Sunlight

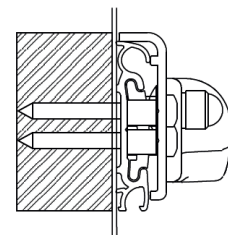


INFO

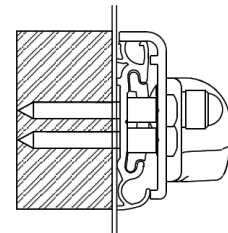
- Adapter set to mount a Thule bike rack on the rear wall of a Dethleffs, Carado or Sunlight motorhome or caravan
- These vehicles all have a specific cover profile on top. This adapter makes it easy to mount the Thule top wall brackets, included with the Thule bike rack on this cover profile without the need for mounting plates on the inside
- The adapter is an aluminum profile cut to length and foreseen with all needed holes to fix each top wall bracket with 4 screws in the strong structure behind the cover profile
- The adapter is officially approved by Dethleffs, Carado and Sunlight
- Suitable for Thule bike racks: Thule Excellent, Thule Elite G2, Thule Sport G2, Thule Lift V16, Thule Essential
- Content of set:
 - 2x adapter plate
 - screws for wall fixation
 - fixation material for Thule wall brackets



Position Dethleffs



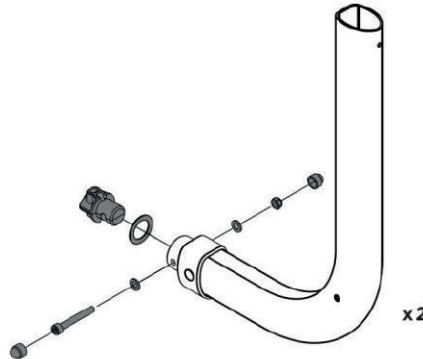
Position Carado & Sunlight
(since 2016)



302002

Thule Bike Rack Adapter for Dethleffs, Carado & Sunlight (per 5 sets)

Thule Adapter 4 Point Fixation Fiamma



INFO

- Adapter set to mount a Thule Excellent | Elite G2 bike rack on Fiamma brackets (4 point fixation)
- Useful for customers who have pre-mounted Fiamma fixations on their vehicle and who want to replace a Fiamma bike rack by the Thule Excellent | Elite G2 bike rack. To do this, the lower part of the bike rack frame must be equipped with the adapter

307338	Thule Adapter 4 Point Fixation Fiamma (per 5 sets)
--------	--

Thule XL U-bolts for A-frame bike racks



INFO

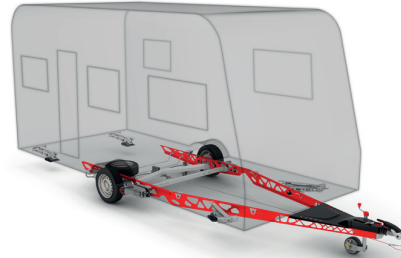
- Adapter set to mount a Thule A-frame bike rack on caravans with high BPW chassis (for example: Adria 2016 Alpina caravans)
- Installation can be done by following the normal instructions included with the bike rack
- Suitable for all Thule A-frame bike racks: Thule Caravan Superb Standard/Short, Thule Caravan Smart, Thule Caravan Light
- Content of set:
 - 4 extra-long U-bolts M6 x 160-78-160mm

308140	Thule XL U-bolts for A-frame bike racks (per 5 sets)
--------	--

Thule U-Bolts A-Frame AL-KO Vario X

INFO

- Adapterset to mount a Thule A-frame bike rack on the AL-KO Vario X frame
- This bike rack adapter is sold per set of 4 u-bolts.



302068

Thule U-Bolts A-Frame AL-KO Vario X

Thule Eriba Bracket



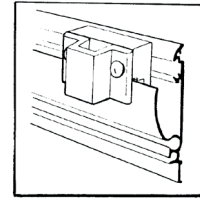
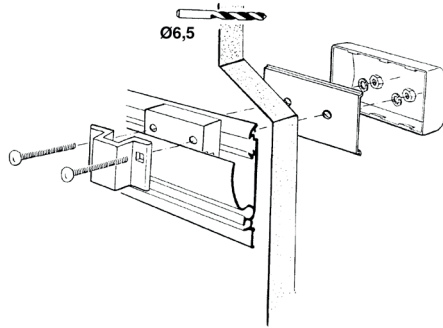
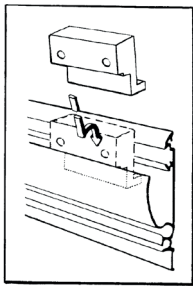
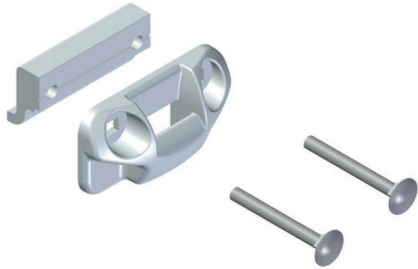
INFO

- For mounting a bike rack to an Eriba caravan

308137

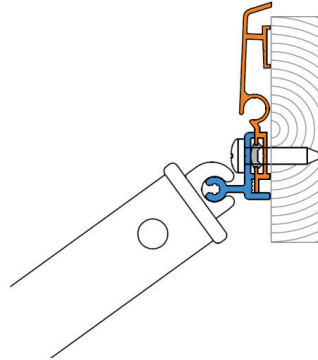
Thule Eriba Bracket for mounting on Eriba (per 5 sets)

Thule Rail Support Bracket for Hobby Caravan Rail < 2003



308147	Thule Rail Support Bracket for Hobby Caravan Rail < 2003 (per 10 sets)
--------	--

Thule Bike Rack Adapter for Hobby 2014 Caravans

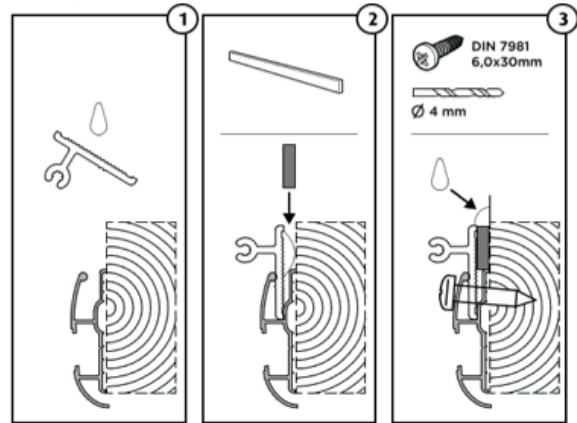


INFO

- Mounting rail to install a Thule bike rack on Hobby 2014 caravans (models: De Luxe, Excellent, Prestige - not for models: De Luxy Easy, Premium and Landhaus)
- On these Hobby caravans, the advised position at the rear for installing a bike rack is on the cover profile below the brake light. This is the strongest and most reliable position because of the wood structure behind it. Below the brake light there is no risk of damaging any electric cables
- The mounting rail is designed in cooperation with Hobby to perfectly fit this position and can be screwed on the cover profile without removing the rubber
- To be used in combination with Thule Sport G2 Hobby bike rack (ref.: 307128)
- Rail length: 715mm
- Content:
 - 10x mounting rail for Hobby 2014

307174	Thule Bike Rack Adapter for Hobby 2014 Caravans (per 10 pcs)
--------	--

Thule Bike Rack Adapter for Hobby 2015 Caravans

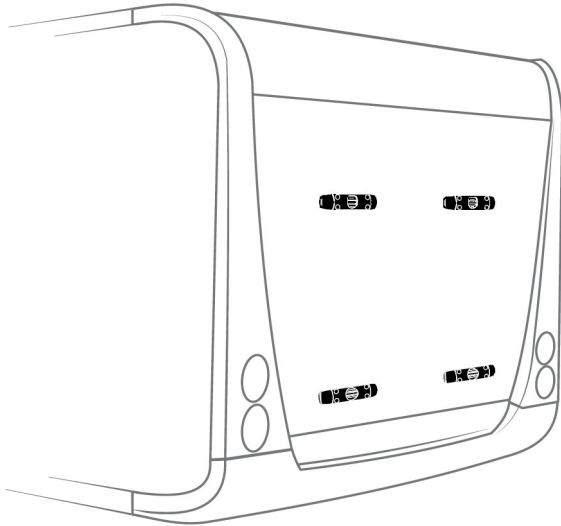


INFO

- Adapter to install a Thule Sport G2 Hobby bike rack on Hobby Caravans as from 2015
- These Caravans have a special rail and limited space above the rear window which makes it impossible to install the standard Thule Sport G2 Hobby bike rack
- The adapter is a rectangular aluminum profile cut to length
- To install the bike rack, the mounting profile included with the Thule Sport G2 Hobby needs to be mounted upside down in the Hobby rail. The adapter perfectly fits the gap between the mounting rail and the vehicle
- This Thule adapter is officially approved by Hobby Wohnwagenwerk
- For Hobby Caravans that are standard equipped with the Thule bike rack by Hobby Wohnwagenwerk this adapter is not needed because a cut out is made in the Hobby rail
- The Thule Adapter for Hobby Caravans 2014 (ref.: 307174) cannot be used due to the shape of the new Hobby rail and the brake light in the center
- To be used in combination with Thule Sport G2 Hobby bike rack (ref.: 307128)
- Adapter profile dimensions: length 715mm, height 15mm, thickness 5mm
- Content:
 - 10x adapter rail for Hobby caravans as from 2015

307330	Thule Bike Rack Adapter for Hobby 2015 Caravans (per 10 pcs)
--------	--

Thule Bike Rack Adapter 4-point Fixation Euramobil MI 3



302008

Thule Bike Rack Adapter 4-point Fixation Euramobil MI 3